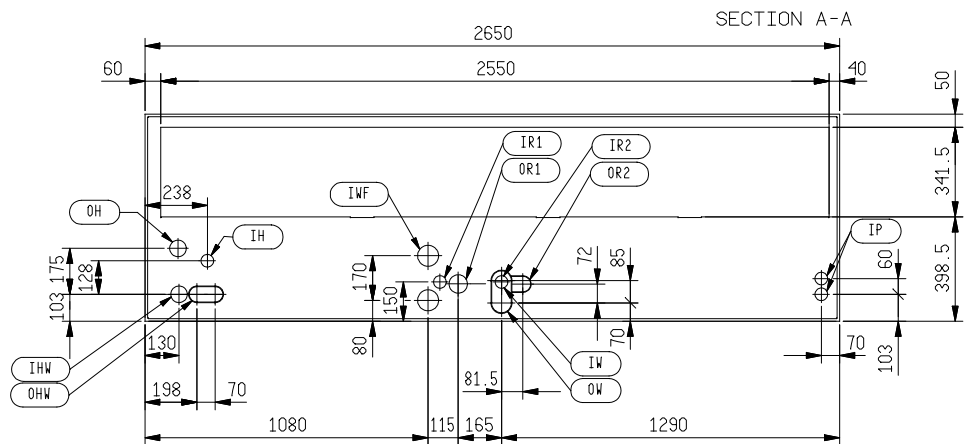


SECTION A-A



ITALIANO	ENGLISH
IR1: IN refrigerante circ.1 AX-AD	IR1: IN refrigerant circ.1 AX-AD
OR1: OUT refrigerante circ.1 AX-AD	OR1: OUT refrigerant circ.1 AX-AD
IR2: IN refrigerante circ.2 AX-AD	IR2: IN refrigerant circ.2 AX-AD
OR2: OUT refrigerante circ.2 AX-AD	OR2: OUT refrigerant circ.2 AX-AD
IW: IN acqua cond. AW	IW: IN water cooled AW
OW: OUT acqua cond. AW-AT-AF	OW: OUT water cooled AW-AT-AF
IWF: IN acqua AF-AT	IWF: IN water AF-AT
IP: IN alimentazione elettrica	IP: IN power supply
IH: IN umidificatore	IH: IN humidifier water
OH: OUT umidificatore	OH: OUT humidifier water
IHW: IN acqua calda	IHW: IN hot water
OHW: OUT acqua calda	OHW: OUT hot water

Version : AX - AW - AF - AT - AD
 Model : 80-90
 Air flow configuration : UNDER

